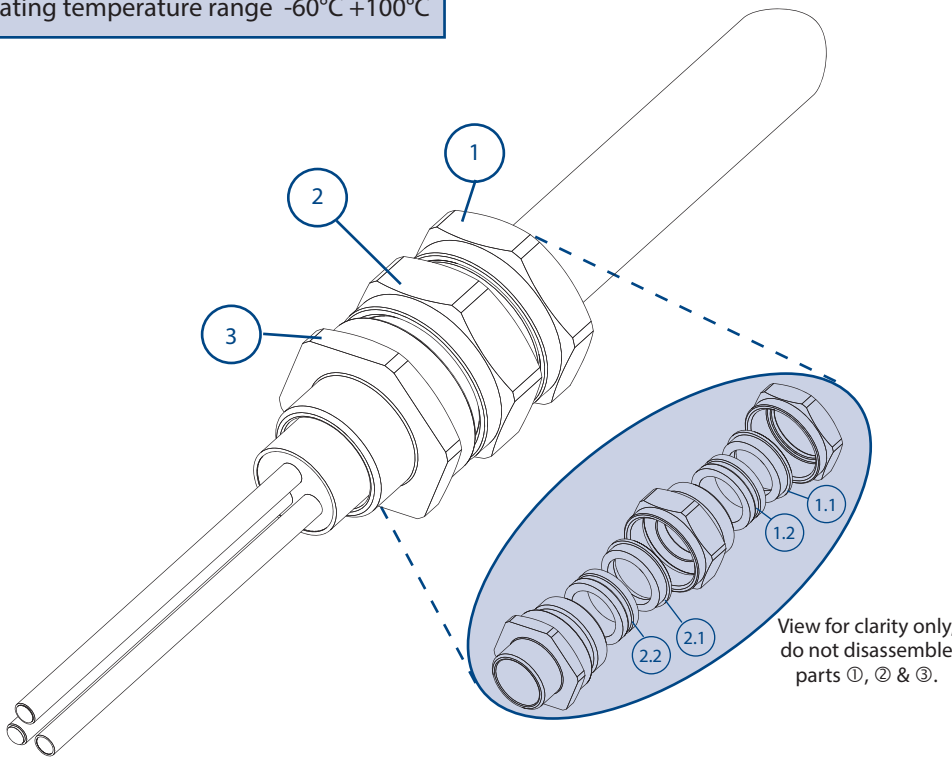


Operating temperature range -60°C +100°C

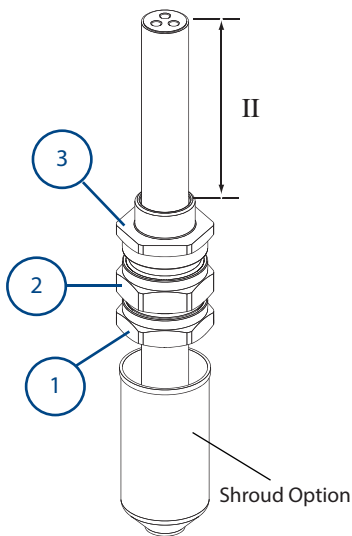


Certification Details

Gland Type: 501/423 Exd IIC Gb, Exe II Gb, Extb IIIC Db
 Baseefa06ATEX0056X (Ex) II 2 GD IP66 (CE)
 IECEx BAS06.0013X
 IEx 14.0272X
 EAC TC RU C-GB.ГБ05.В.00750
 c CSA us No: 1015065
 Class 1 Zone 1 AExd IIC, AExe II Zone 21 AExtD
 Class 1 Div 2 ABCD, Class II Div 2 Groups EFG, Class III
 CNEEx12.3449X

- 1. Backnut
- 1.1 Compression Spigot
- 1.2 Seal
- 2. Middle Nut
- 2.1 Compression Spigot
- 2.2 Seal
- 3. Entry

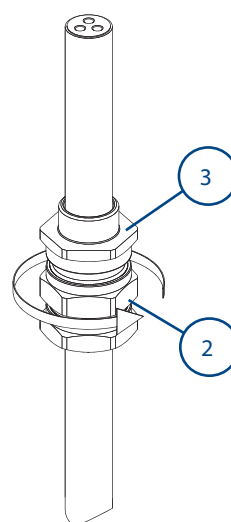
Cable Preparation



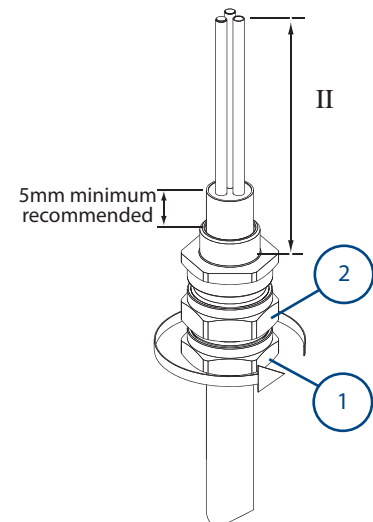
A Allow sufficient length of cable, II, to suit equipment.
 If required, fit shroud.
 Pass cable through cable gland as shown above.

Note: If the equipment has a threaded entry, it may be advisable to screw the cable gland into the equipment to prevent twisting of the cable after Step B & C.

Gland Preparation



B Unless already screwed into the equipment hold the entry ③ in position with a spanner/wrench to prevent rotation and tighten the middle nut ② using a wrench/spanner until resistance is felt between the seal and cable. Then turn the middle nut through a further half to one full turn to complete the inner seal.



C Hold the middle nut ② in position with a spanner/ wrench to prevent rotation and tighten the backnut ① using a wrench/spanner until resistance is felt between the seal and cable, then turn the middle nut through a further half to one full turn to complete the outer seal. Locate the shroud over the cable gland, if applicable. To ease wiring inside the equipment it may be beneficial to strip the outer sheath of the cable, as shown above.

CABLE GLAND SELECTION TABLE

| Size Ref. | Entry Thread Size | | Cable Acceptance Details | | | | Compressed Length | Maximum Length | Hexagon Dimensions | |
|-----------|-------------------|-----------|--------------------------|-----------|----------------------|------|-------------------|----------------|--------------------|----------------|
| | | | Outer Sheath | | Alternative Seal (S) | | | | | |
| | Metric | NPT | Standard Seal | | Alternative Seal (S) | | | | | |
| | | | Min. | Max. | Min. | Max. | | | Across Flats | Across Corners |
| Os | M20 [*] | ½" | 3.2 | 8.0 | --- | --- | 40.0 | 64 | 24.0 | 26.5 |
| O | M20 [*] | ½" | 6.5 | 11.9 | --- | --- | 40.0 | 64 | 24.0 | 26.5 |
| A | M20 | ½" - ¾" | 10.0 | 14.3 | 9.0 | 13.4 | 40.4 | 60 | 30.0 | 32.5 |
| B | M25 | ¾" - 1" | 13.0 | 20.2 | 9.5 | 15.4 | 44.3 | 68 | 36.0 | 39.5 |
| C | M32 | 1" - 1¼" | 19.5 | 26.5 | 15.5 | 21.2 | 47.2 | 70 | 46.0 | 50.5 |
| C2 | M40 | 1¼" - 1½" | 25.0 | 32.5 | 22.0 | 28.0 | 49.5 | 73 | 55.0 | 60.6 |
| D | M50 | 1½" - 2" | 31.5 | 42.3/44.4 | 27.5 | 34.8 | 72.5 | 100 | 65.0 | 70.8 |
| E | M63 | 2" - 2½" | 42.5 | 54.3/56.3 | 39.0 | 46.5 | 64.8 | 98 | 80.0 | 88.0 |
| F | M75 | 2½" - 3" | 54.5 | 65.3/68.2 | 49.5 | 58.3 | 68.0 | 100 | 95.0 | 104.0 |
| G | M80 | 3½" | 67.0 | 73.0 | --- | --- | 68.0 | 94 | 106.4 | 115.0 |
| H | M90 | 3½" | 67.0 | 77.6 | --- | --- | 68.0 | 94 | 115.0 | 130.0 |
| J | M100 | 4" | 75.0 | 91.6 | --- | --- | 68.0 | 94 | 127.0 | 142.0 |

* Sizes Os and O are available with an M16 thread size. If M16 entry is used on O size Cable Glands the maximum cable inner sheath diameter is limited to 10.9mm.

ACCESSORIES:

Before cable gland assembly or stripping of the cable gland assembly, consideration should be given to any cable gland accessories that may be required, such as: -

- Shroud, to offer additional corrosion protection.
- Locknut, to secure cable glands into position.
- Sealing washer, to offer additional ingress protection of the enclosure at the cable gland entry.
- Serrated washer, to dampen any vibrations that may loosen the locknut or cable gland assembly.

SCHEDULE OF LIMITATIONS - Baseefa ATEX / IECEx:

1. These cable gland types are only suitable for use with fixed apparatus, the cable for which must be effectively clamped and cleated elsewhere.
2. This cable gland has an operating temperature range of -60°C to +100°C.
3. A seal must be formed between the equipment and the cable gland to maintain the appropriate degree of protection against ingress of dust, solid objects and water.

NOTES - c CSA us:

1. The cable used must have extruded sealing (solid polymeric) completely surrounding the "core" (insulation and conductor), allowing for no holes or ventilation through the inner jacket or along the cores.
2. The 501/4** series cable gland connectors, when used in Class 1 Division 2 Classified areas, are not suitable to be interfaced with an explosion proof enclosure containing arcing and sparking devices, unless installed in conjunction with an approved explosion proof sealing fitting.
3. These glands are suitable for use with Certified Marine Shipboard armoured / unarmoured cables constructed to CSA Standard 245 and IEEE45 / IEC 600092-353 Standards, or certified equivalent), for use on Shipboards and Offshore Rigs / Platforms.
4. Must comply with Canadian Electrical Code and National Electric Code requirements for threaded entries.
5. For Exe applications, a sealing washer or thread sealant may be required between the enclosure and the gland to maintain the IP rating of the enclosure.
6. When used with unarmoured or braided cables the glands are only suitable for use with fixed apparatus and the cable must be effectively clamped and cleated elsewhere.
7. This cable gland may only be installed when temperature is above -5°C. After completion of the installation, the assembly is then suitable for -60°C to +100°C.

EC Declaration of Conformity in accordance with European Directive 94/9/EC (until 19th April 2016) and EU Declaration of Conformity in accordance with European Directive 2014/34/EU (from 20th April 2016)
Manufacturer: Hawke International
Address: Oxford Street West, Ashton-under-Lyne, OL7 0NA, United Kingdom.

Equipment: Group II Compression Cable Glands Type: 501/423

Provisions of the Directive fulfilled by the Equipment: Group II Category 2GD Exe IIC Gb, Exd IIC Gb, Extb IIIC Db – IP66
Notified Body for EC-Type Examination: SGS-Baseefa 1180 Buxton UK
EC-type Examination Certificate: Baseefa06ATEX0056X
Notified Body for production: SGS-Baseefa 1180 Buxton UK
Harmonised Standards used: EN 60079-0:2012+A11:2013, EN60079-1:2014, EN60079-7:2015, EN60079-31:2014

On behalf of the above named company, I declare that, on the date the equipment accompanied by this declaration is placed on the market, the equipment conforms with all technical and regulatory requirements of the above listed directives.



A. Tindall
Technical Manager